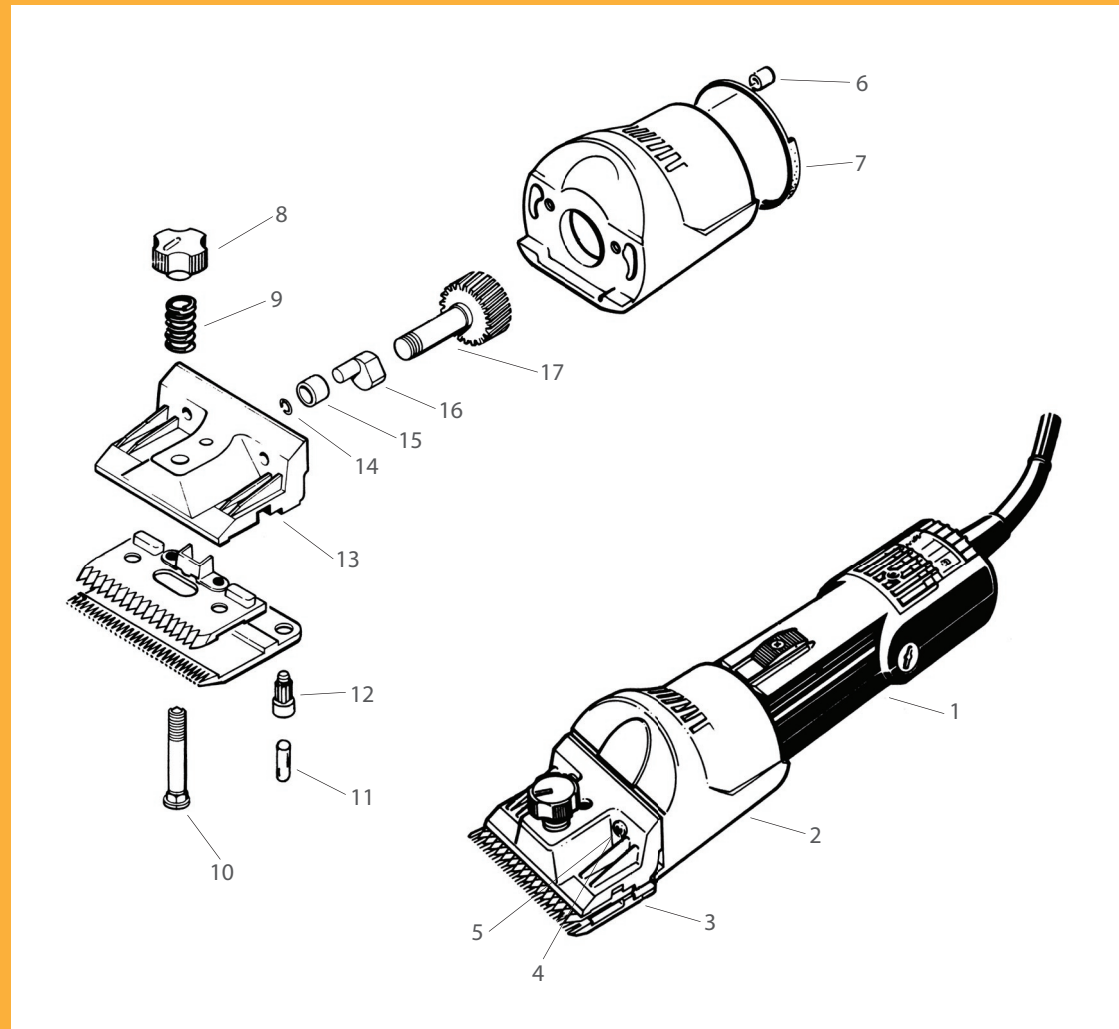


Laser 2 Clipper Head

Item	Part No.	Description
1	258-36500	Body Assembly 240V
	258-36510	Body Assembly 110V <i>(not shown)</i>
2	258-32070	Gearbox Assembly <i>(includes items 6 & 7)</i>
3	258-33361	Assembly of Parts 11 - 17
4	258-32060	Screw
5	258-11740	Washer
6	258-32080	Plain Bearing
7	258-32090	Gearbox Seal
8	258-33710	Tension Nut
9	258-10061	Tension Spring
10	252-00009	Tension Bolt
11	258-30850P	Comb Peg Pin
12	258-30850	Comb Peg
13	258-33351	Clipper Head
14	258-00062	Crank Roller Spring
15	258-00057	Crank Roller
16	258-00061	Crank Head
17	258-30820	Gearshaft



Laser 2 Body

Item	Part No.	Description
1	258-32630	Body Casing Bottom
2	258-36560	Body Casing Top
3	258-32100	Adapter Plate Assembly
4	258-32020	Intermediate Gearshaft
5	258-32140	Screw M4 x 12mm
6	258-36520	Armature 240V
	258-36540	Armature 110V <i>(not shown)</i>
7	258-31090	Circlip
8	258-31080	Ball Bearing
9	258-31120	O-Ring
10	258-36530	Motor 240V
	258-36550	Motor 110V <i>(not shown)</i>
11	258-32760	Self Tapping Screw
12	258-31310	Crew M3 x 10mm
13	258-31300	Filter
14	258-31190	Brush Holder
15	258-31200	Brush
16	258-31210	Spring
17	258-31220	Brush Cup
18	258-32750	Lower End Cover
19	258-32730	Cable Clamp Screw
20	258-32690	Switch
21	258-32720	Rear End Cover
22	258-32740	Cable Support

Item	Part No.	Description
23	258-33070	Mains Lead UK
	258-33970	Mains Lead AUS <i>(not shown)</i>
	258-33910	Mains Lead USA <i>(not shown)</i>
24	258-31140	Washer
25	258-31130	O-Ring
26	258-32660	Ball Bearing
27	258-32680	Rubber Grommet
28	258-36700	Overload Switch 240V
	258-36710	Overload Switch 110V <i>(not shown)</i>
29	258-32710	Switch Lead
30	258-33050	Capacitor
31	258-32670	Switch Lever
32	258-36690	Switch
33	258-31180	Screw M3 x 4mm
34	258-31300	Filter
35	258-31310	Screw M3 x 10mm
36	258-32590	Clipper Head
37	258-32610	Shear Head

Laser 2 Body

